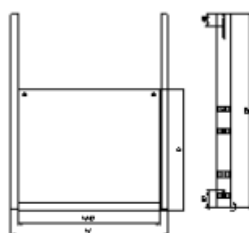


## Keyboard panel



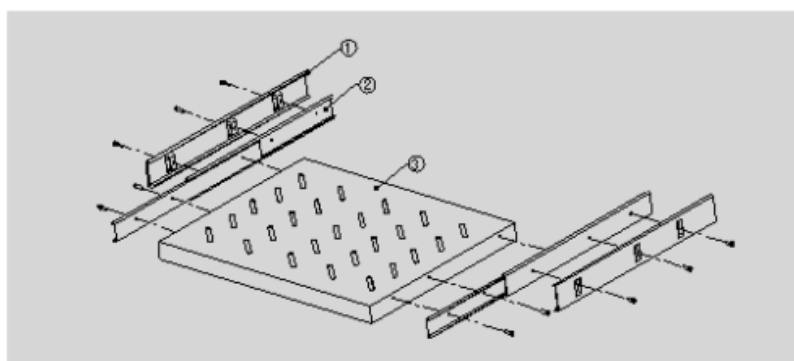
### Dimension



Keyboard panel:  
Material:  
T1.2 SPCC cold rolled steel 14"2-section slide.

Surface Finish:  
Degreasing, pickling,  
Phosphoric, powder coated.

Parameter:  
Flexing length: 210MM Loading  
capacity: 20KG.



### Structure of Keyboard panel:

1. Guiding girder;
2. 14"2-section slide;
3. Keyboard loading plate.

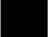
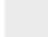
## Specification

Model No.	Specification	Dimension(MM)			Use
		W	D1	D2	
SA.0760.190■	60 Keyboard tray	470	350	380	19" installation for 600-depth cabinets
SA.8005.001■	80 Keyboard tray	470	350	580	19" installation for 800-depth cabinets
SA.0790.190■	90 Keyboard tray	470	350	680	19" installation for 900-depth cabinets
SA.9105.001■	96 Keyboard tray	470	350	740	19" installation for 960/1000-depth cabinets
SA.0760.270■	60 Extra-width Keyboard tray	670	350	380	27" installation for 600-depth cabinets, remove cable management slot and spacer
SA.0780.270■	80 Extra-width Keyboard tray	670	350	580	27" installation for 800-depth cabinets, remove cable management slot and spacer
SA.0790.270■	90 Extra-width Keyboard tray	670	350	680	27" installation for 900-depth cabinets, remove cable management slot and spacer
SA.0796.270■	96 Extra-width Keyboard tray	670	350	740	27" installation for 960/ 1000-depth cabinets, remove cable management slot and spacer

### Definition of Color :

Model No.	Color
SA.■■■■.■■■1	RAL9004
SA.■■■■.■■■0	RAL7035

### Color :

RAL9004	RAL7035
Black	Gray
	

SA.9105.001■ AC.00027 96 Keyboard tray